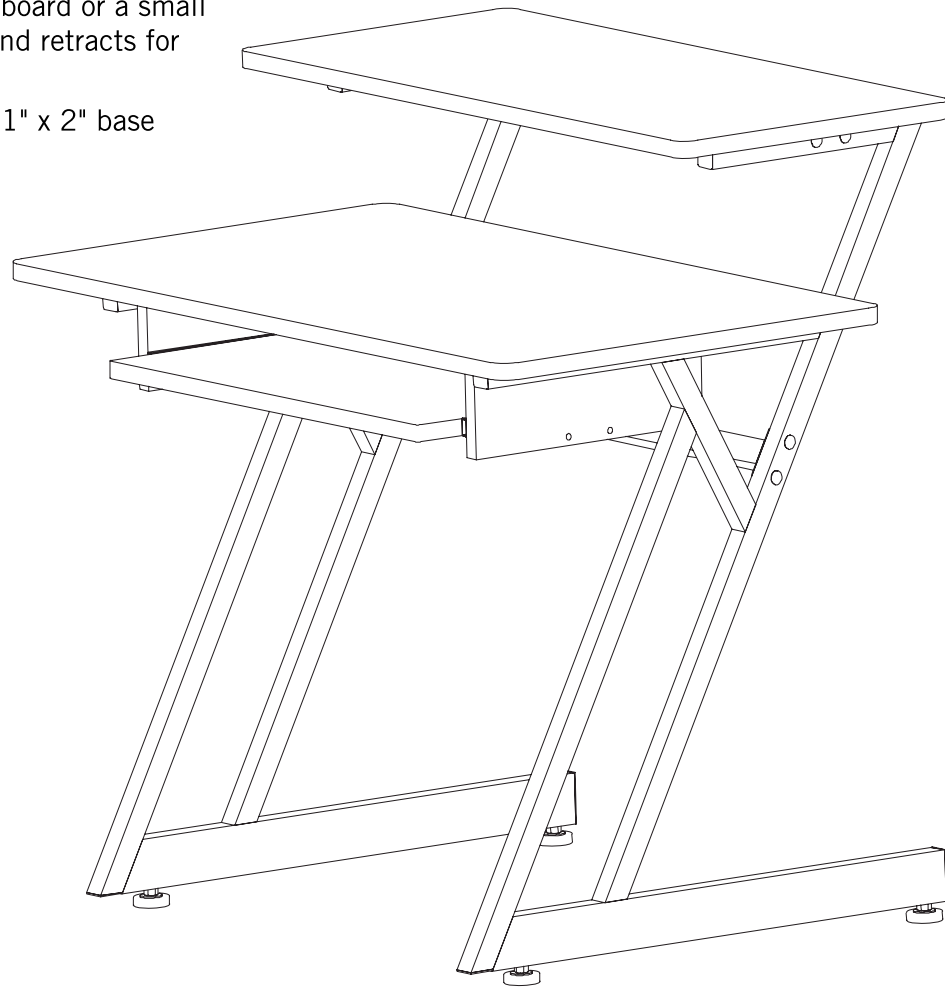


**WS7500
Professional
Workstation**

Workstation Details

- Ergonomic setup for a computer, mixer, monitor speakers, MIDI controller, and other studio equipment
- Heavy-duty Z-frame base provides a stable foundation for reliable gear support
- Slide-out tray holds the computer keyboard or a small MIDI controller at a comfortable level and retracts for convenient storage
- Steel Tubing Size: 1" x 1" frame with 1" x 2" base
- Weight Capacity: 175 lb
- Keyboard Tray Height: 25"
- Main Worksurface Height: 29"
- Upper Worksurface Height: 37.5"
- Dimensions: 43" (W) x 30" (D)



**REGISTER YOUR PRODUCT ONLINE
FOR THESE BENEFITS:**

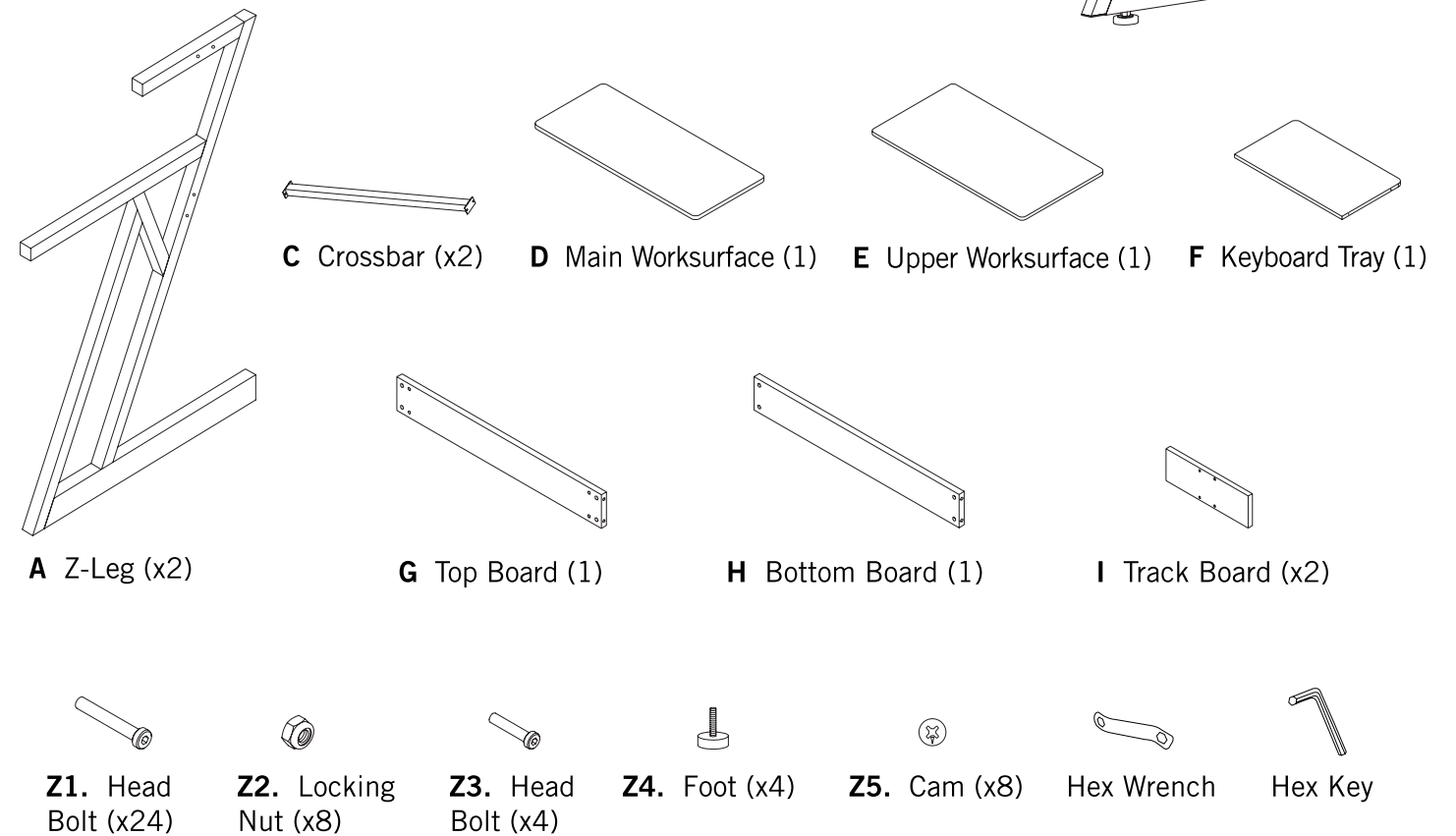
- Quicker turnaround on warranty claims.
- Notifications about product updates or safety information.
- Improved products as a result of your feedback.

If you have questions or comments, contact our customer service department at cs@musicpeopleinc.com or (800) 289-8889.

**WS7500
Professional
Workstation**



Components:

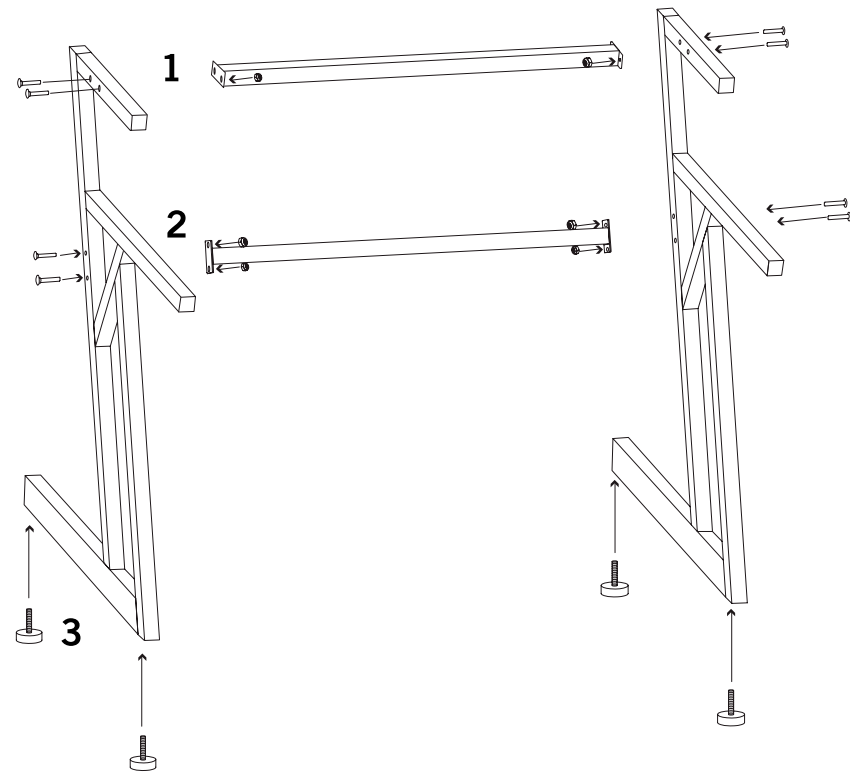


CAUTION

FAILURE TO FOLLOW AND OBSERVE THE ASSEMBLY INSTRUCTIONS AND WARNINGS BELOW OR EXCEEDING THE WEIGHT CAPACITY OF THE WORKSTATION MAY CAUSE COLLAPSE OF THE WORKSTATION, BODILY INJURY, OR EQUIPMENT DAMAGE AND WILL VOID THE PRODUCT WARRANTY.

Assembly Instructions

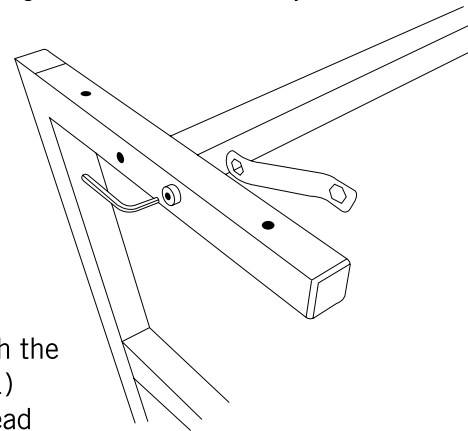
BEFORE BEGINNING ASSEMBLY: Remove all the contents from the box and identify all the parts using the diagrams. Ensure that all the components and all pieces of hardware are present. If any part is missing, please contact cs@themusicpeopleinc.com.



Assemble the frame

1. Line up the two holes on the side of the upper arm of one Z-Leg (A) with the holes at one end of one Crossbar (C). Insert two Head Bolts (Z1) through the Z-Leg and Crossbar. Screw a Locking Nut (Z2) onto both Head Bolts. Tighten each Head Bolt with the hex key while holding the Locking Nut in place with the hex wrench. Repeat this step with the second Z-Leg on the opposite end of the Crossbar.

Tip: Hold the Locking Nut in place with the hex wrench while turning the Head Bolt with the hex key.



2. Line up the two holes on the longer vertical tube of one Z-Leg (A) with the holes at one end of the second Crossbar (C). Insert two Head Bolts (Z1) through the Z-Leg and Crossbar. Screw a Locking Nut (Z2) onto both Head Bolts. Tighten each Head Bolt with the hex key while holding the Locking Nut in place with the hex wrench. Repeat this step for the second Z-Leg.

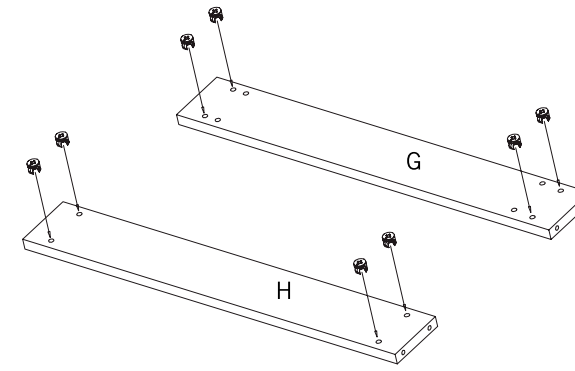
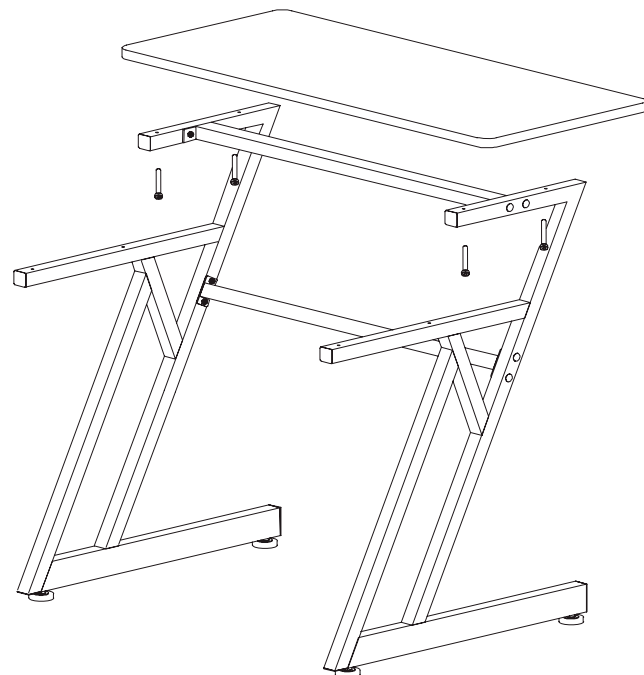
Connect the Feet to the frame

3. Rest the frame on its back to expose the bottom of the Z-Legs (A). Screw one Foot (Z4) into each of the four holes on the bottom of the Z-Legs. Turn the frame right side up.

Note: Once the workstation is assembled, place a level on the Main Worksurface (D) and, if necessary, adjust the length of each foot by turning it clockwise or counterclockwise until the workstation is level.

Connect the Upper Worksurface to the frame

4. Place the Upper Worksurface (E) on the upper arms of the frame. Line up the holes on the bottom of the Upper Worksurface with the holes in the arms. Insert four Head Bolts (Z1) into the holes and tighten them using the hex key.



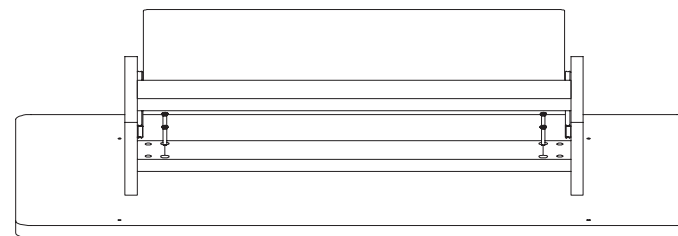
Assemble the keyboard-tray unit

5. Lay the Top Board (G) and Bottom Board (H) flat. Insert four Cams (Z5) into the four outermost holes of each board. Leave the Top Board and Bottom Board laying flat for the next step.

6. Line up the holes on the Track Boards (I) with the holes on the Top Board (G) and Bottom Board (H), as shown in the Bottom View and Top View. Insert eight Head Bolts (Z1) into the holes, as shown in the Top View, and tighten them with the hex key.

7. Once the Top Board (G), Bottom Board (H), and Track Boards (I) are connected, slide the Keyboard Tray (F) into the tracks.

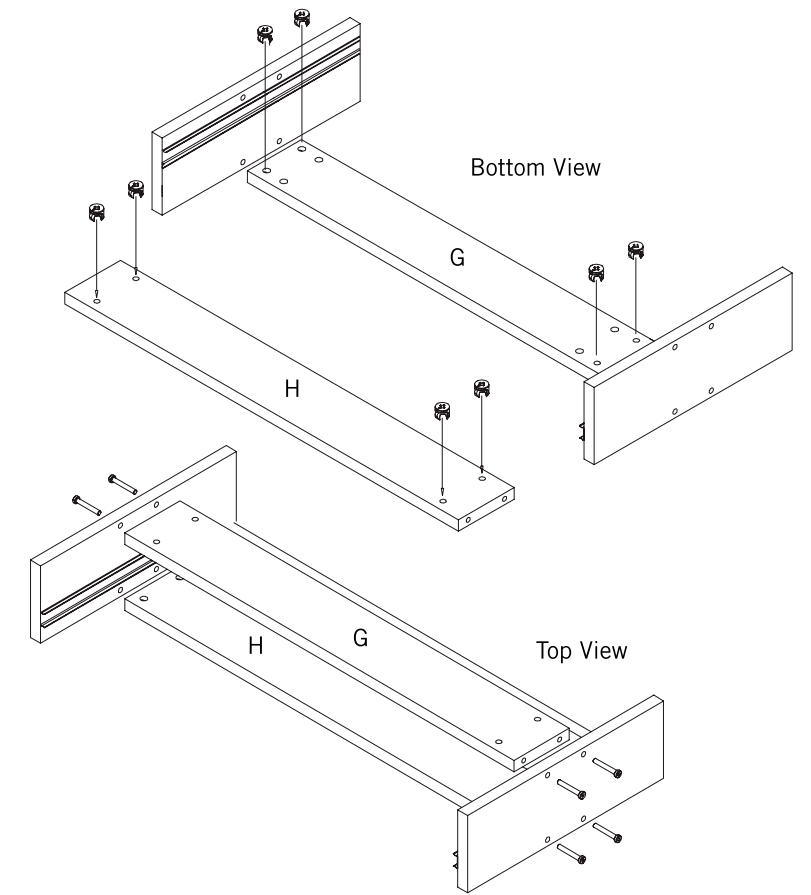
Bottom View



Connect the Main Worksurface to the frame

9. Place the Main Worksurface (D) on the lower arms of the frame. Line up the four holes on the bottom of the Main Worksurface with the four holes on the arms. Insert four Head Bolts (Z1) into the holes and tighten them using the hex key.

10. Before using the Workstation, be sure all bolts and nuts are tightened.



Connect the keyboard-tray unit to the Main Worksurface

8. Turn the Main Worksurface (D) and the keyboard-tray unit upside down. Line up the four holes on the Top Board (G) of the keyboard-tray unit with the four holes on the Main Worksurface. Insert four Head Bolts (Z3) into the holes and tighten them with the hex key. **IMPORTANT:** Be sure to use the Z3 Head Bolts for this step. Using the wrong bolts will damage the Main Worksurface and void the warranty.

